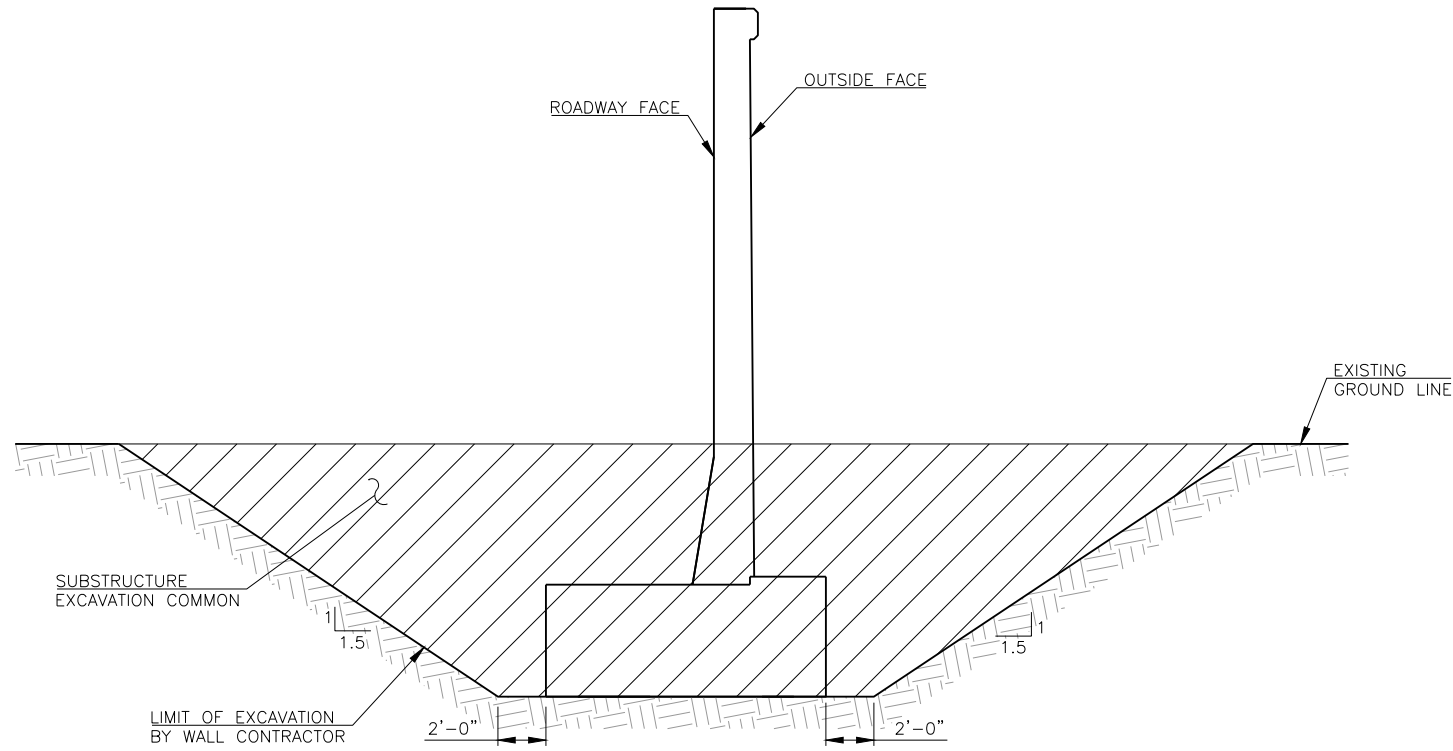
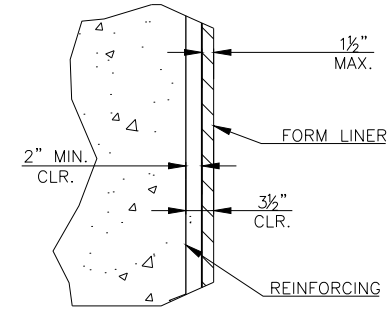


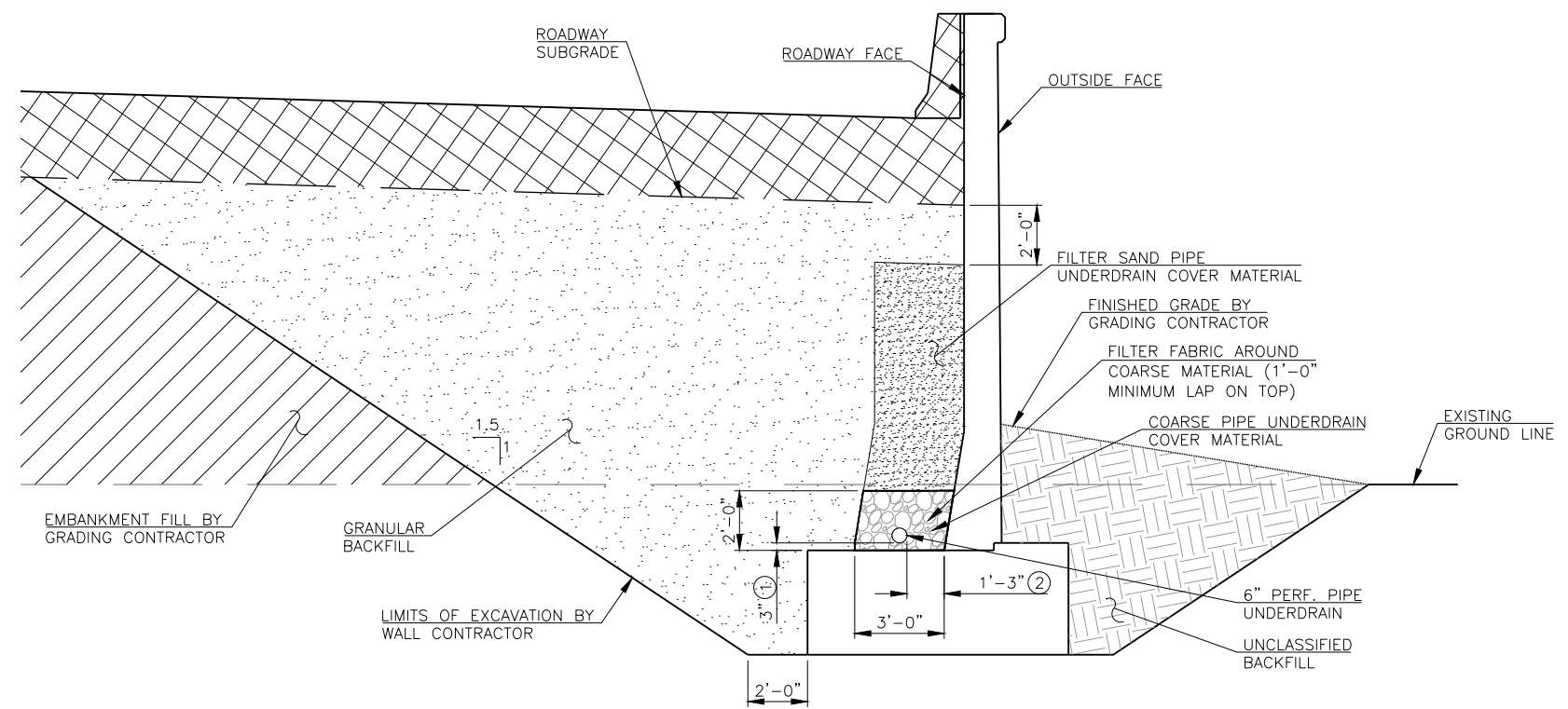
DESCRIPTION	REVISIONS	DATE



RETAINING WALL SUBSTRUCTURE EXCAVATION

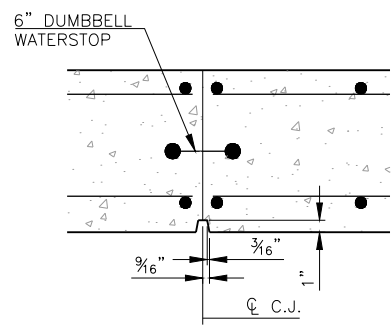


DETAIL OF CLEAR COVER WITH FORM LINER

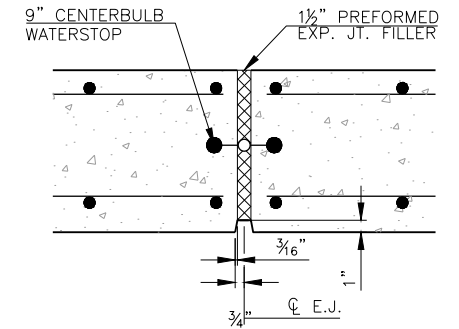


PIPE UNDERDRAIN AND BACKFILL

- ① SET BOTTOM OF PIPE A MINIMUM OF 3" ABOVE THE TOP OF THE FOOTING. SLOPE 1% TO DRAIN.
- ② SET SIDE OF PIPE A MINIMUM OF 3" FROM THE RETAINING WALL. ADJUST POSITION TO PROVIDE CONTINUITY FROM PANEL TO PANEL.



CONSTRUCTION JOINT



EXPANSION JOINT

RETAINING WALL JOINT DETAILS

NOTE:
WATERSTOP SHALL BE PLACED FROM TOP OF FOOTING TO TOP OF WALL AND EXPANSION JOINT FILLER SHALL BE PLACED THE FULL HEIGHT OF WALL. COST SHALL BE INCLUDED IN OTHER ITEMS OF WORK.

DESIGN	T.A.C.	CROSTOWN BOULEVARD OVER CLASSEN BLVD.	OKLAHOMA COUNTY
DRAWN	R.A.P.		
CHECKED	B.J.K.		
APPROV.	T.A.C.		
SQUAD	CEC		

RETAINING WALL DETAILS